

One Year Limited Warranty

For a period of one year from the date of purchase of the product from Engineered Laundry Products LLC (ELP) we warrant that the products shall be free from material manufacturing defects and defective workmanship. We will replace any defective product, so long as the product has been properly installed, maintained and operated according to the instructions attached to or furnished with the product. Proof of the original purchase of the product shall be required under this warranty. This warranty covers all PanStands and pump kits supplied by ELP.

Excluded Items

- All other costs including labor, transportation, or customs duties;
- Service calls to correct the installation of the PanStand, or pump kit or to instruct you on the proper use of your PanStand or pump kit;
- Repairs when the PanStand or pump kit is used for other than the normal, anticipated commercial use of the product;
- Damages which are the result of improper handling of the product during delivery, theft, accident, alteration, misuse, abuse, fire, flood, acts of God and/or nature, improper installation, installation not in compliance with local electrical or plumbing codes, or the use of the product in a manner not approved by the manufacturer;
- Discoloration or other cosmetic features;
- Costs of installation and/or removal of the PanStand or pump kit.

What We Will Do

We will replace any PanStand or pump kit falling within the terms of this warranty. We will not refund or repair any item.

Disclaimer of Implied Warranties; Limitations of Remedies

The above warranties are provided with respect to this product and its related items in lieu of any other warranties, express or implied. Any and All Implied Warranties of Merchantability or Fitness for a Particular Purpose or any similar standard imposed by applicable legislation are disclaimed. Our responsibility to replace a defective product and/or related items is the sole and exclusive remedy provided to the customer for breach of these warranties.

Some states, provinces and countries do not allow the exclusion or limitation of incidental or consequential damages or exclusions or limitations on the duration of implied warranties or conditions, so the above limitations or exclusions may not apply to you. This warranty gives you Specific legal right, and you may also have other right that vary by state, province or country. To the extent allowed by local law, except for the obligations specifically set forth in this warranty statement, in no event shall Engineered Laundry Products, LLC or its vendors be liable for any indirect, special, incidental or consequential damages (including loss of profits) whether based on contract, tort or any other legal theory and irrespective of whether we or the vendor has advanced notice of the possibility of such damages.

Return Policy

Returns may be made by providing proof of purchase and a verified description of the defect or defects in manufacturing or workmanship which are being claimed. Contact us at returns@elpproducts.com for a return authorization.



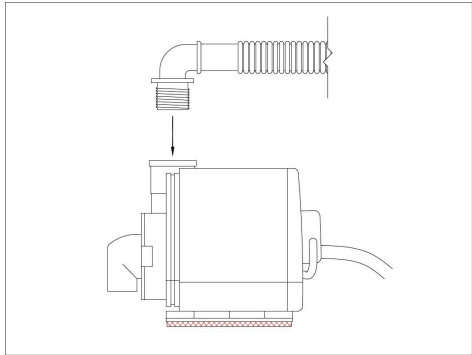
ELP PanStand™ Automatic Discharge Pump Model PK-1000



Assembly and Installation Instructions

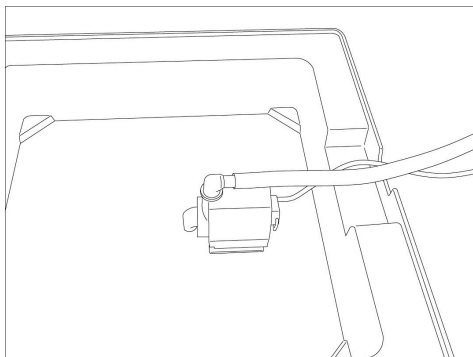
ELP PanStand™ Automatic Discharge Pump Model PK-1000

Thread discharge hose into pump being careful not to cross-thread. Hand tighten until snug. Do Not Over



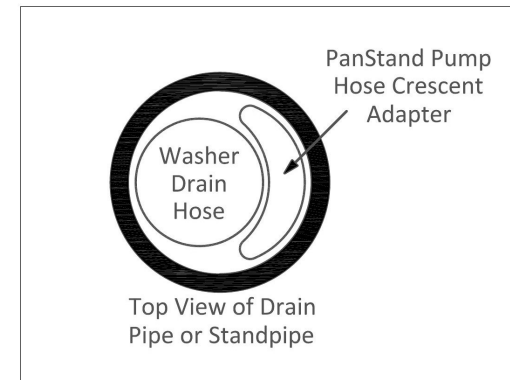
Tighten.

Peel backing strips from adhesive foam pads on the bottom of the pump and anchor pump anywhere in the sump being careful that any protrusions from the bottom of the washer will not contact the pump when the washer is installed on top of the PanStand™. Make sure that pump is positioned so that the hose and power cord exit easily under the washer and through the depression

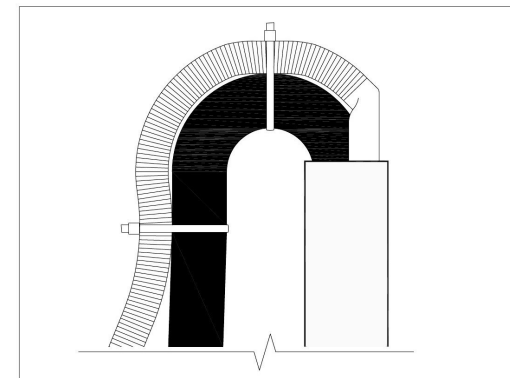


in the rear wall of the PanStand™.

Place the discharge end of the hose with the Crescent Adapter™ into the gap between the washer discharge



hose and the inside wall of the drain pipe or stand pipe.



Secure the pump hose to the washer drain hose with 2 supplied cable ties as shown.

Plug pump power cord into a standard 120vac wall outlet.